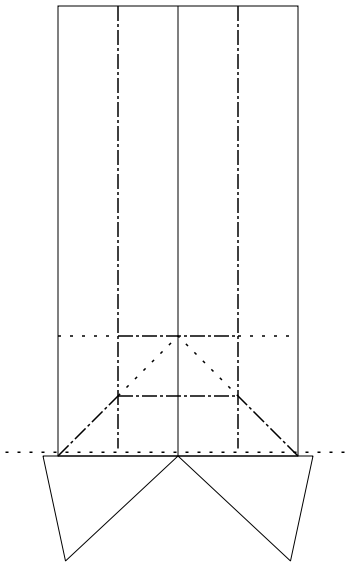


## Dollar Bill Basket (Part 2 of 2)

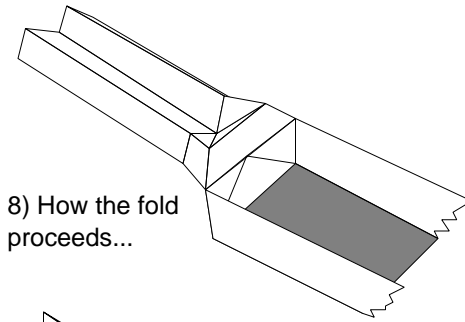
Model Created and Diagrammed by A. Anselmo 12/93

anselmo@thermsa.eng.sunysb.edu

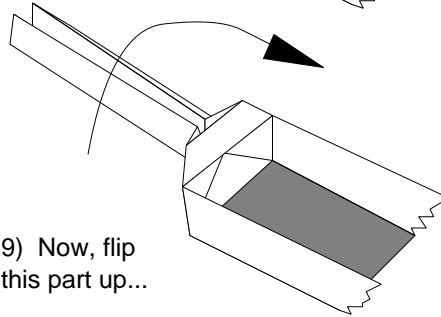
Found, I'm sure, by others...



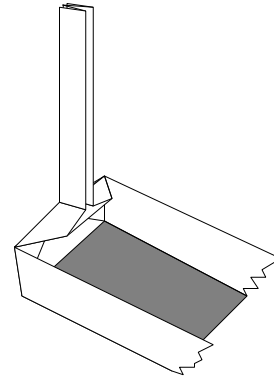
7) From before...



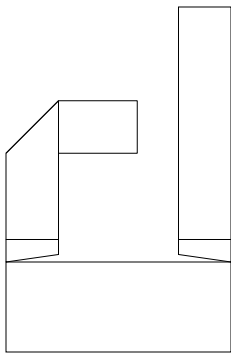
8) How the fold proceeds...



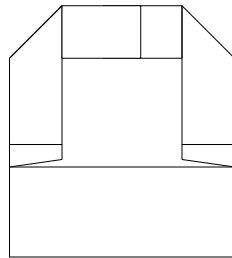
9) Now, flip this part up...



10) So it looks like this. Now, repeat steps 3)-9) on the other side.



11) Inside fold the two handles, and interlock them by sliding the handles together. Here, one side is shown folded.



12) The finished model.  
If the handles don't overlap enough, you should make the bottom of the box smaller, which means folds A and B in step 2) should be closer together.